

調光レンズ ガラス 1.60 累進 遠近両用 (累進帯長14mm)

# SGR調光ブラウン マルチコート

調光イメージ



基本仕様

|      |      |      |       |
|------|------|------|-------|
| 屈折率  | 1.60 | 累進帯長 | 14mm  |
| 比重   | 2.80 | 透過率  | 99.0% |
| アッペ数 | 45   |      |       |

最大約50% (気温23℃の場合)

※使用環境 (気温・紫外線量等) により、調光濃度や調光スピードが異なります。

マルチコート

| 度数<br>(-) | 乱視 (-) |      |     |     |      |     |     |     |      |     |     |     |      |
|-----------|--------|------|-----|-----|------|-----|-----|-----|------|-----|-----|-----|------|
|           | 球面     | 0.25 | .50 | .75 | 1.00 | .25 | .50 | .75 | 1.00 | .25 | .50 | .75 | 4.00 |
| 0.00      |        |      |     |     |      |     |     |     |      |     |     |     |      |
| .25       |        |      |     |     |      |     |     |     |      |     |     |     |      |
| .50       |        |      |     |     |      |     |     |     |      |     |     |     |      |
| .75       |        |      |     |     |      |     |     |     |      |     |     |     |      |
| 1.00      |        |      |     |     |      |     |     |     |      |     |     |     |      |
| .25       |        |      |     |     |      |     |     |     |      |     |     |     |      |
| .50       |        |      |     |     |      |     |     |     |      |     |     |     |      |
| .75       |        |      |     |     |      |     |     |     |      |     |     |     |      |
| 2.00      |        |      |     |     |      |     |     |     |      |     |     |     |      |
| .25       |        |      |     |     |      |     |     |     |      |     |     |     |      |
| .50       |        |      |     |     |      |     |     |     |      |     |     |     |      |
| .75       |        |      |     |     |      |     |     |     |      |     |     |     |      |
| 3.00      |        |      |     |     |      |     |     |     |      |     |     |     |      |
| .25       |        |      |     |     |      |     |     |     |      |     |     |     |      |
| .50       |        |      |     |     |      |     |     |     |      |     |     |     |      |
| .75       |        |      |     |     |      |     |     |     |      |     |     |     |      |
| 4.00      |        |      |     |     |      |     |     |     |      |     |     |     |      |
| .25       |        |      |     |     |      |     |     |     |      |     |     |     |      |
| .50       |        |      |     |     |      |     |     |     |      |     |     |     |      |
| .75       |        |      |     |     |      |     |     |     |      |     |     |     |      |
| 5.00      |        |      |     |     |      |     |     |     |      |     |     |     |      |
| .25       |        |      |     |     |      |     |     |     |      |     |     |     |      |
| .50       |        |      |     |     |      |     |     |     |      |     |     |     |      |
| .75       |        |      |     |     |      |     |     |     |      |     |     |     |      |
| 6.00      |        |      |     |     |      |     |     |     |      |     |     |     |      |
| .25       |        |      |     |     |      |     |     |     |      |     |     |     |      |
| .50       |        |      |     |     |      |     |     |     |      |     |     |     |      |

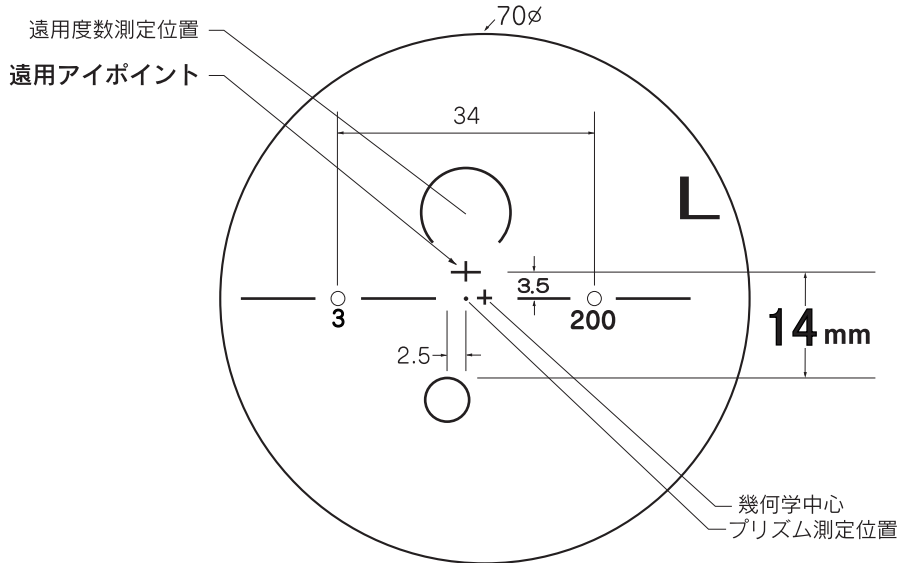
| 度数<br>(+) | 乱視 (+) |      |     |     |      |     |     |     |      |     |     |     |      |
|-----------|--------|------|-----|-----|------|-----|-----|-----|------|-----|-----|-----|------|
|           | 球面     | 0.25 | .50 | .75 | 1.00 | .25 | .50 | .75 | 1.00 | .25 | .50 | .75 | 4.00 |
| 0.00      |        |      |     |     |      |     |     |     |      |     |     |     |      |
| .25       |        |      |     |     |      |     |     |     |      |     |     |     |      |
| .50       |        |      |     |     |      |     |     |     |      |     |     |     |      |
| .75       |        |      |     |     |      |     |     |     |      |     |     |     |      |
| 1.00      |        |      |     |     |      |     |     |     |      |     |     |     |      |
| .25       |        |      |     |     |      |     |     |     |      |     |     |     |      |
| .50       |        |      |     |     |      |     |     |     |      |     |     |     |      |
| .75       |        |      |     |     |      |     |     |     |      |     |     |     |      |
| 2.00      |        |      |     |     |      |     |     |     |      |     |     |     |      |
| .25       |        |      |     |     |      |     |     |     |      |     |     |     |      |
| .50       |        |      |     |     |      |     |     |     |      |     |     |     |      |
| .75       |        |      |     |     |      |     |     |     |      |     |     |     |      |
| 3.00      |        |      |     |     |      |     |     |     |      |     |     |     |      |
| .25       |        |      |     |     |      |     |     |     |      |     |     |     |      |
| .50       |        |      |     |     |      |     |     |     |      |     |     |     |      |
| .75       |        |      |     |     |      |     |     |     |      |     |     |     |      |
| 4.00      |        |      |     |     |      |     |     |     |      |     |     |     |      |
| .25       |        |      |     |     |      |     |     |     |      |     |     |     |      |
| .50       |        |      |     |     |      |     |     |     |      |     |     |     |      |

| 混合乱視 (MIX) |    |          |     |     |      |     |     |     |      |     |     |     |      |
|------------|----|----------|-----|-----|------|-----|-----|-----|------|-----|-----|-----|------|
| C          | S+ | 乱視 (MIX) |     |     |      |     |     |     |      |     |     |     |      |
|            |    | 0.25     | .50 | .75 | 1.00 | .25 | .50 | .75 | 1.00 | .25 | .50 | .75 | 4.00 |
| 0.25       |    |          |     |     |      |     |     |     |      |     |     |     |      |
| .50        |    |          |     |     |      |     |     |     |      |     |     |     |      |
| .75        |    |          |     |     |      |     |     |     |      |     |     |     |      |
| 1.00       |    |          |     |     |      |     |     |     |      |     |     |     |      |
| .25        |    |          |     |     |      |     |     |     |      |     |     |     |      |
| .50        |    |          |     |     |      |     |     |     |      |     |     |     |      |
| .75        |    |          |     |     |      |     |     |     |      |     |     |     |      |
| 2.00       |    |          |     |     |      |     |     |     |      |     |     |     |      |
| .25        |    |          |     |     |      |     |     |     |      |     |     |     |      |
| .50        |    |          |     |     |      |     |     |     |      |     |     |     |      |
| .75        |    |          |     |     |      |     |     |     |      |     |     |     |      |
| 3.00       |    |          |     |     |      |     |     |     |      |     |     |     |      |
| .25        |    |          |     |     |      |     |     |     |      |     |     |     |      |
| .50        |    |          |     |     |      |     |     |     |      |     |     |     |      |
| .75        |    |          |     |     |      |     |     |     |      |     |     |     |      |
| 4.00       |    |          |     |     |      |     |     |     |      |     |     |     |      |
| .25        |    |          |     |     |      |     |     |     |      |     |     |     |      |
| .50        |    |          |     |     |      |     |     |     |      |     |     |     |      |
| .75        |    |          |     |     |      |     |     |     |      |     |     |     |      |
| 5.00       |    |          |     |     |      |     |     |     |      |     |     |     |      |
| .25        |    |          |     |     |      |     |     |     |      |     |     |     |      |
| .50        |    |          |     |     |      |     |     |     |      |     |     |     |      |
| .75        |    |          |     |     |      |     |     |     |      |     |     |     |      |
| 6.00       |    |          |     |     |      |     |     |     |      |     |     |     |      |
| .25        |    |          |     |     |      |     |     |     |      |     |     |     |      |
| .50        |    |          |     |     |      |     |     |     |      |     |     |     |      |

※外径 (有効外径) について  
光学中心を幾何学中心より2.5mm偏心してありますので  
有効外径は全ての範囲で+5mmとなります。

ADD 0.75~3.00

ペア単位にてご注文下さい



SGR 調光ブラウン

※凸面から見た左レンズを表示しています

特注加工

|                 |  |
|-----------------|--|
| プリズム            | ○ 2Δまで可  |
| 偏心              | ×  |
| 外径指定 (+, MIX範囲) | ○ <縮小> 基準径~最小60mm(5mm単位)<br><拡大> ( ) 内のサイズまで製作可(5mm単位) |
| 厚み指定            | ×  |
| ツボクリ            | ×  |

プリズムシニング加工

- 1.+レンズ、MIXレンズ、S-1.00D以下のレンズに対し、「薄く」「軽く」するためにシニング加工を行います
- 2.プリズム処方がある場合は、プリズムシニング加工を行いません
- 3.プリズムシニング加工範囲と範囲外の組み合わせの場合は、両方ともシニング加工を行いません

原産国 日本